

routers - diamond cut routers



Konturenfräser - Diamantgeschliffener Langlochfräser

mortaiseuse - mortaiseuse diamant

encaminadors - encaminadors de corte de diamante

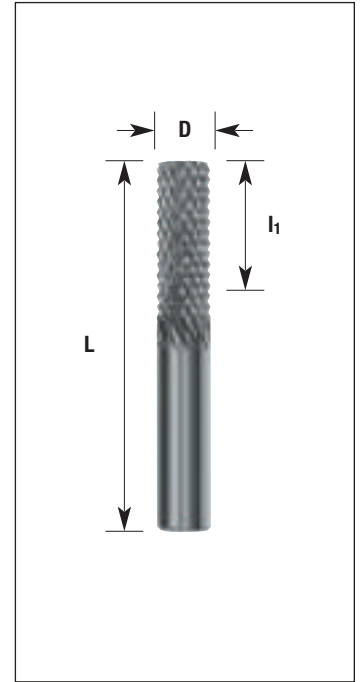
fresa contornitrici - taglio a diamante

260



	tol: D	tol: d
	3 - 6mm +0.000/-0.076mm > 6 - 12mm +0.000/-0.127mm 1/16" - 1/4" +0.000"/-0.003" > 1/4" - 1/2" +0.000"/-0.005"	+0.000/-0.013mm +0.000"/-0.0005"
Micro Grain K05/K10	 8.1 - 8.3	

D mm	L mm	l ₁ mm	Part Nr
3	45	13	26011810
4	50	16	26015750
6	50	19	26023620
6	63	19	26023620L
8	63	25	26031500
10	63	25	26039370
12	75	25	26047240

D ins	L ins	l ₁ ins	Part Nr
1/16	1 1/2	3/16	26006250
3/32	1 1/2	3/8	26009370
1/8	1 3/4	1/2	26012500
3/16	2	5/8	26018750
1/4	2	3/4	26025000
1/4	2 1/2	3/4	26025000L
3/8	2 1/2	1	26037500
1/2	3	1	26050000

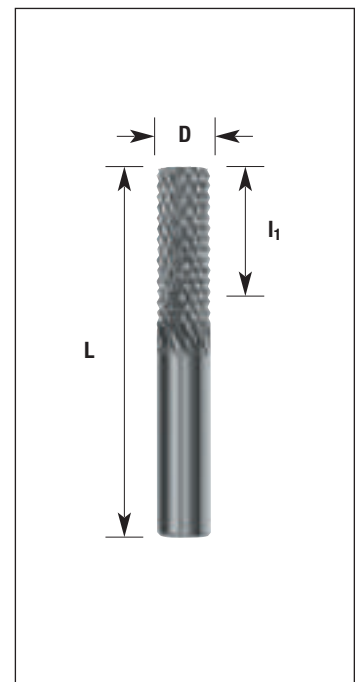


261

	tol: D	tol: d
	3 - 6mm +0.000/-0.076mm > 6 - 12mm +0.000/-0.127mm 1/16" - 1/4" +0.000"/-0.003" > 1/4" - 1/2" +0.000"/-0.005"	+0.000/-0.013mm +0.000"/-0.0005"
Micro Grain K05/K10	 8.1 - 8.3	

D mm	L mm	l ₁ mm	Part Nr
3	45	13	26111810
4	50	16	26115750
6	50	19	26123620
6	63	19	26123620L
8	63	25	26131500
10	63	25	26139370
12	75	25	26147240

D ins	L ins	l ₁ ins	Part Nr
1/8	1 3/4	1/2	26112500
3/16	2	5/8	26118750
1/4	2	3/4	26125000
1/4	2 1/2	3/4	26125000L
3/8	2 1/2	1	26137500
1/2	3	1	26150000



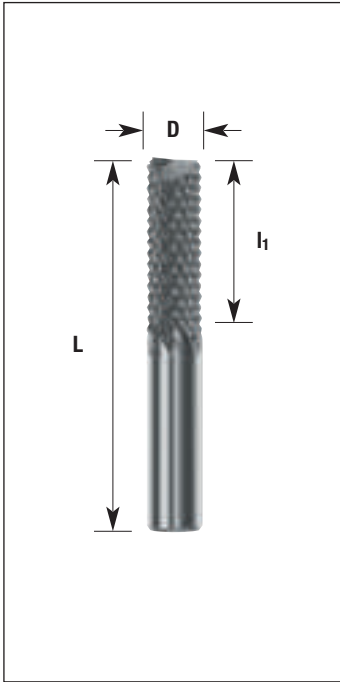
routers - diamond cut routers

Konturenfräser - Diamantgeschliffener Langlochfräser



mortaiseuse - mortaiseuse diamant

encaminadors - encaminadors de corte de diamante

frese contornitrici - taglio a diamante

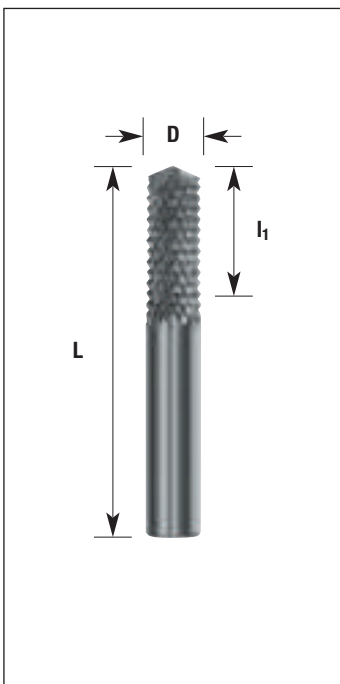


262



	tol: D		tol: d	
	3 - 6mm	+0.000/-0.076mm	+0.000/-0.013mm	
> 6 - 12mm	+0.000/-0.127mm	+0.000"/-0.0005"		
1/16" - 1/4"	+0.000"/-0.003"			
> 1/4" - 1/2"	+0.000"/-0.005"			
Micro Grain K05/K10	 8.1 - 8.3			

D mm	L mm	I ₁ mm	Part Nr
3	45	13	26211810
4	50	16	26215750
6	50	19	26123620
6	63	19	26223620L
8	63	25	26231500
10	63	25	26239370
12	75	25	26247240

D ins	L ins	I ₁ ins	Part Nr
1/16	1 1/2	3/16	26206250
3/32	1 1/2	3/8	26209370
1/8	1 3/4	1/2	26212500
3/16	2	5/8	26218750
1/4	2	3/4	26225000
1/4	2 1/2	3/4	26225000L
3/8	2 1/2	1	26237500
1/2	3	1	26250000



263

	tol: D		tol: d	
	3 - 6mm	+0.000/-0.076mm	+0.000/-0.013mm	
> 6 - 12mm	+0.000/-0.127mm	+0.000"/-0.0005"		
1/16" - 1/4"	+0.000"/-0.003"			
> 1/4" - 1/2"	+0.000"/-0.005"			
Micro Grain K05/K10	 8.1 - 8.3			

D mm	L mm	I ₁ mm	Part Nr
3	45	13	26311810
4	50	16	26315750
6	50	19	26323620
6	63	19	26323620L
8	63	25	26331500
10	63	25	26339370
12	75	25	26347240

D ins	L ins	I ₁ ins	Part Nr
3/32	1 1/2	3/8	26309370
1/8	1 3/4	1/2	26312500
3/16	2	5/8	26318750
1/4	2	3/4	26325000
1/4	2 1/2	3/4	26325000L
3/8	2 1/2	1	26337500
1/2	3	1	26350000